

Work happily



V1.0

naggura'swop

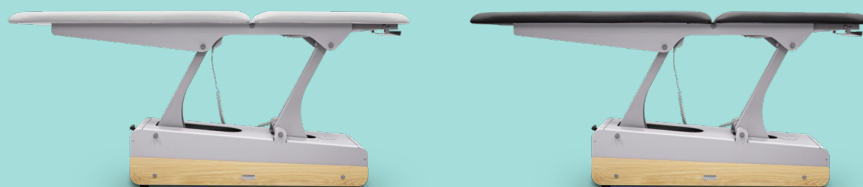


naggura.com

# Our products

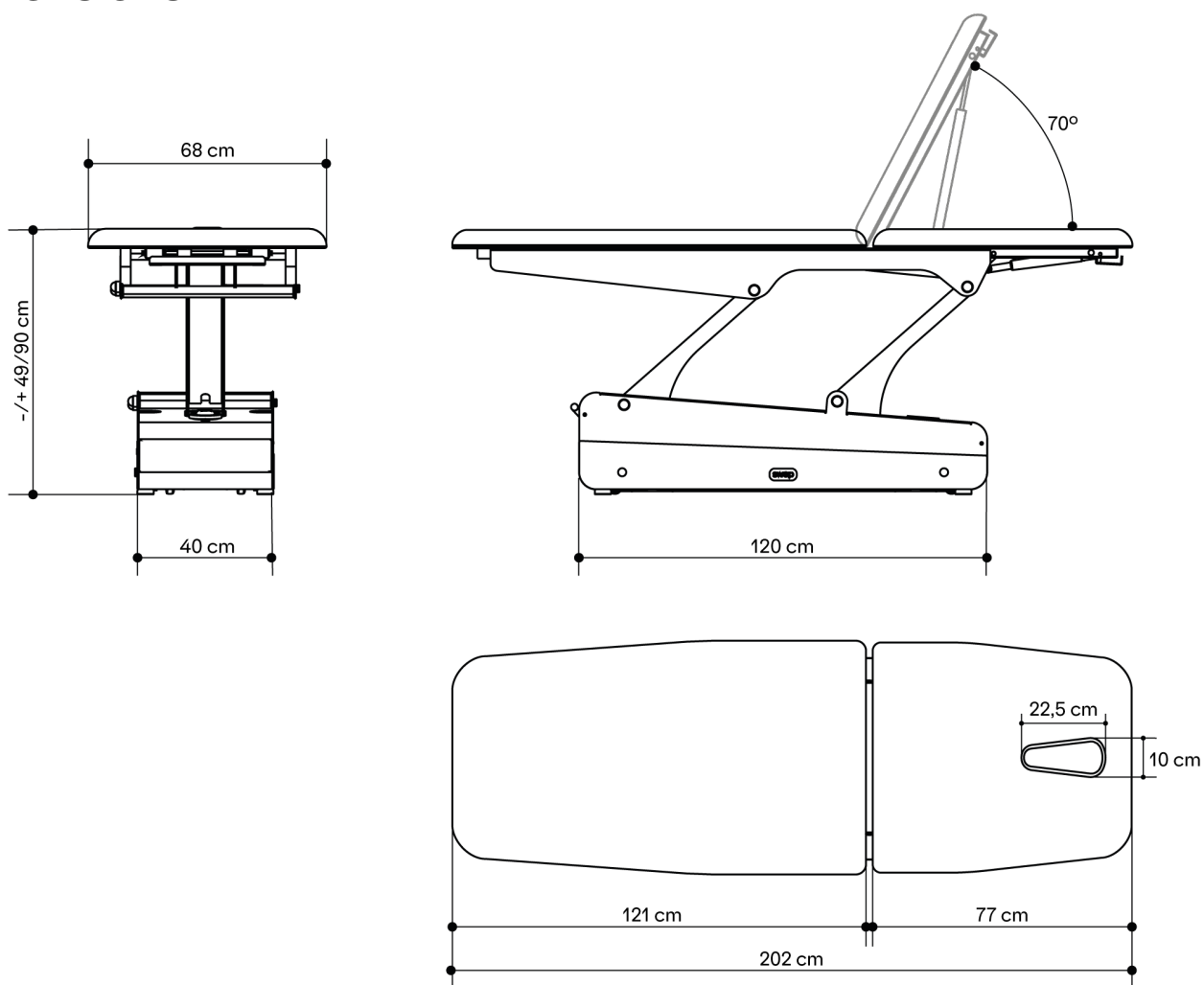
## Massage

### Swop 2L Starter



Swop 2L Starter is an all-round  
electrical treatment table!  
Simply multipurpose!

## Dimensions



# SWOP 2L STARTER MASSAGE



## General Specifications

### MOTORS

1 engine (height)

### DIMENSIONS (LENGTH X WIDTH)

202 x 68 cm

### HEIGHT (MIN. AND MAX.)

49/90 cm

### WEIGHT

94 kg

### THICKNESS

5 cm

### DENSITY

40 kg/m<sup>3</sup>

### LIFTING CAPACITY

200 kg

### OPERATION

Hand controller (included)/  
Foot controller (optional)

### POWER SUPPLY

230 V - 50/60 Hz

### MAX. INTENSITY

2 A

### ELECTRIC MOTOR

6.000 N

### CUSHION

Seamless Upholstery and  
round edges.

PVC upholstery available  
in white or grey.

Abrasion resistance:  
120-150K cycles.

## Accessories

Paper roll holder



Handlebar



Bamboo Sound System



Bed Covers

